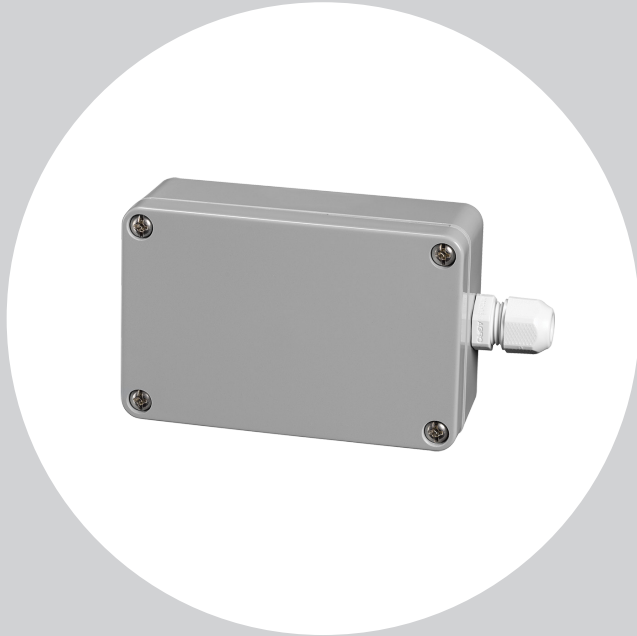


Outdoor temperature transmitter



TTH-6040-O

- Outdoor temperature sensor
- Outdoor mounting
- Plug & play with OJ Air2
- Plug & play with AHC-3000
- Modbus RTU
- I/O saving

The TTH-6040-O is a temperature transmitter that is designed to measure the outdoor temperature.

The TTH-6040-O is used in connection with ventilation for an energy-saving together with an air handling unit containing an OJ AIR2 or AHC-3000 AHU control system.

The TTH-6040-O delivers the temperature digitally on Modbus RTU, and the measurement is not reduced by losses in cables or 0-10 V conversion in a subsequent system.

Energy-saving ventilation

The TTH-6040-O will provide the AHU control system with valid data for efficient energy saving. The energy-saving ventilation functions, such as night heating and summer night cooling, become significantly more efficient.

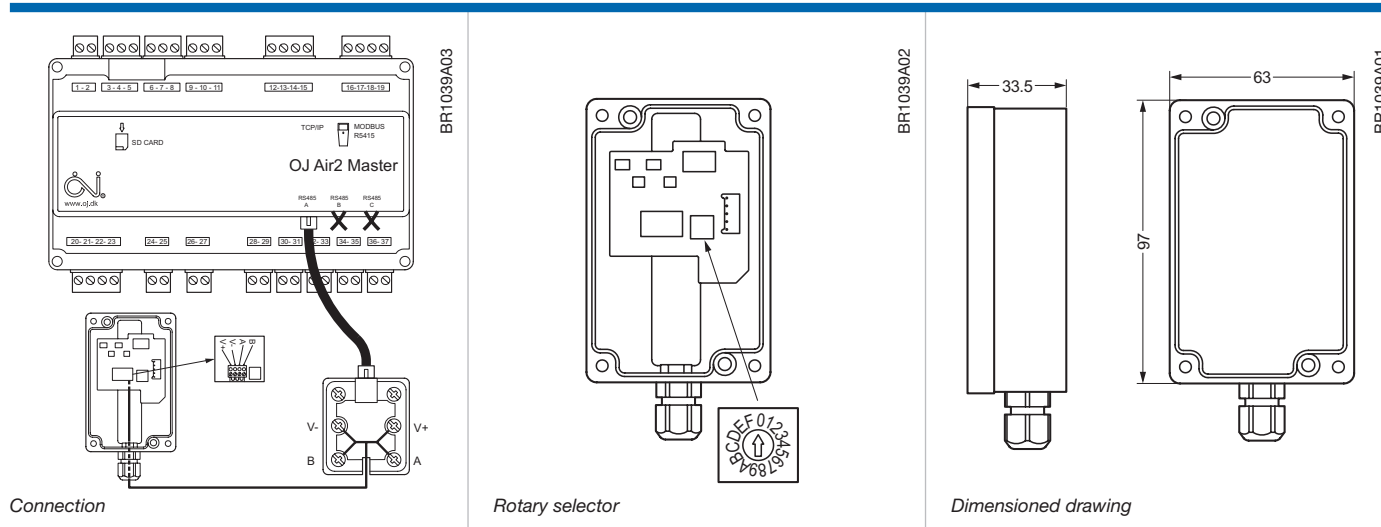
Plug & play with OJ Air2 and AHC-3000.

The TTH-6040-O is fully integrated into the system's software, and the outdoor temperature transmitter is detected fully automatically when it is correctly connected. The solution is "plug & play" with no complicated settings. It has never been easier to offer a outdoor temperature sensor as an option.

I/O saving

The TTH-6040-O is connected with a Modbus connection. This saves an analogue temperature input and perhaps even an entire extension module in the associated control system.





Scope of supply

The TTH-6040-O is supplied in a cardboard box containing:

- 1 x temperature sensor for outdoor mounting
- 1 x junction box with modular connector
- 1 x QuickPlug™ cable, 3 m
- 1 x adhesive pad 50x50 mm

INSTALLATION

Installation of the transmitter

The TTH-6040-O temperature sensor should be mounted on a flat surface at a representative measuring point, so that the air is able to circulate freely around it. Avoid placing in draughts and direct sunlight or in the vicinity of heat sources.

Cable connections

Connect the junction box to the OJ Air2 Master / AHC-3000 using RJ12 cable. As long as the total cable length is less than 50 metres, there are no special requirements in terms of the cable type or shielding. The terminal box is connected with the QuickPlug™ cable to the OJ-Air2 Master RS485 port A or to an the AHC-3000 on the Modbus sensor port.

PRODUCT PROGRAMME

TYPE	PRODUCT
TTH-6040-O	Outdoor temperature transmitter
OJ-Air2Master	AHU controller
AHC-3000	AHU controller

TECHNICAL DATA

Supply voltage	24 V DC ±15% via QuickPlug™
Power consumption	< 0.24 W
Electrical connection	max. 1.5 mm ² , screw terminals
QuickPlug™ Modbus	1 x RJ12 in terminal box
Address selector	16 positions
Temperature accuracy	+/- 0.5K @ 25°C
Amb. operating temperature	-30/+50°C
Dimensions	97 x 63 x 34 mm, transmitter 58 x 52 x 21 mm, terminal box
Enclosure	IP65
Weight	130 g

CE marking

The TTH-6040-O complies with the requirements in the following directives:

- EMC Directive
- EN 61000-6-2
- EN-61000-6-3