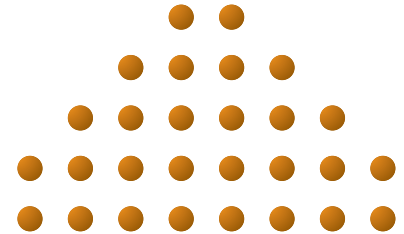
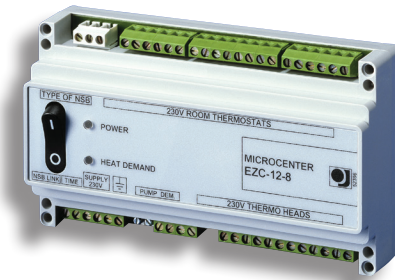


## EZC / OCD4-FHH



## HYDRONIC UNDERFLOOR HEATING

## Microcenter EZC-12 with OCD4-FHH

By combining the EZC Microcenter with the advanced OCD4-FHH thermostat you get a wired control system suitable for connecting multiple room thermostats and thermal actuators for underfloor heating.

The system offers individual 4-event driven setback temperature control, a very easy & intuitive graphical menu system, demand control of UFH pump & boiler/heat pump.

### OCD4-FHH

- Only 20 mm thin, making it easy for the installer.
- Easy animated menu navigation and programming in 8 different languages. Child's play programming ensures fast and easy set-up.
- Set and forget! Self learning adaptive control ensures temperature "on time".
- Compatible with existing floor sensors, making it the best thermostat for renovation purposes.

### EZC

- Connection of up to 8 thermostats & 8 thermal actuators
- Demand controlled pump relay
- Demand controlled relay for heating source
- Built-in ON/OFF switch (8-output version)

### Thermostat control

Electronic thermostat for control of temperature by means of a sensor placed either externally in the floor or built into the thermostat. OCD4 can also operate in regulator mode (option). This is useful for renovation purposes where it is not possible to use a floor sensor.

### Built-in clock - calendar with power backup

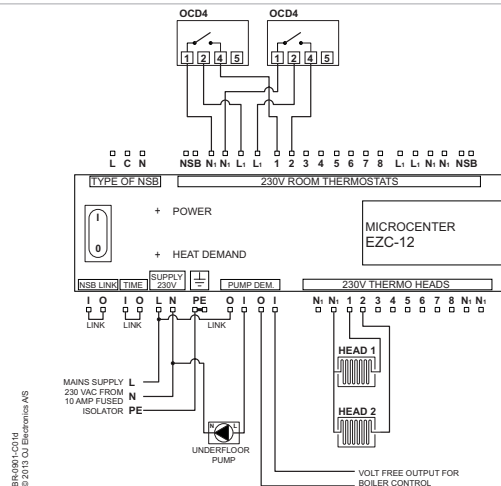
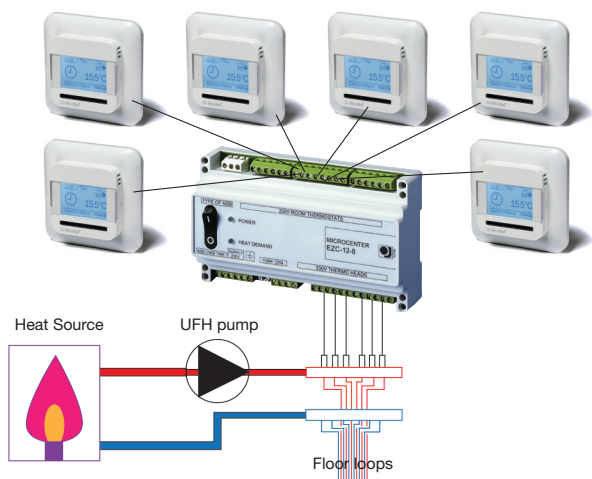
Comes with built-in 4-event program for automatic comfort and setback temperature. The clock and calendar have built-in battery backup, so the user never has to care about setting the clock after power interruption.

### Graphical display

Unique user interface with new animated graphical menus and button based navigation for easy programming and readout of data.

### Monitoring of energy consumption

Total switch-on time in percent and calculated cost can be read out for the last 2 days, 30 days or 365 days. Overall energy consumption can thus be monitored.



### Factory-set events

The thermostat is delivered with factory-set programs as detailed below:

#### DAY 1-5

EVENT	TIME	TEMPERATURE
1	06:00-08:00	Comfort 20 °C
2	08:00-16:00	Setback 15 °C
3	16:00-23:00	Comfort 20 °C
4	23:00-06:00	Setback 15 °C

#### DAY 6-7

EVENT	TIME	TEMPERATURE
1	06:00-23:00	Comfort 20 °C
4	23:00-06:00	Setback 15 °C

### Individual programming of events:

The factory-set periods and/or temperatures can be changed according to requirements.

### Furthermore, the following programs can be selected:

- 4 events for 5 days and 2 events for days 6+7
- 4 events for 6 days and 2 events for day 7
- 4 events per day

### Comfort mode

The room temperature can be temporarily changed for a single event. The comfort mode temperature is reset after a user selected number of hours. The thermostat will then return to the scheduled event program.

### Manual mode

The scheduled event program can be cancelled, e.g. during holidays, and the temperature set for frost protection purposes instead, e.g. to 5 °C. The new setpoint will remain active until manual mode is cancelled.

### TECHNICAL DATA

#### ODC4-1999-FHH

Supply voltage	230 V AC $\pm$ 10 % 50/60 Hz
Output relay	SPST 2 A, resistive load or 1 A inductive load
Interrupter	2-pole, 2 A
Temp. range	+5/+40 °C
Floor limit range	+5/+40 °C
Clock function	4-event program
Battery backup	5 years
Ambient temp.	0/+40 °C during operation
Temp. control	PWM / PI.
Housing	IP21
Ext Sensor type	NTC (12 K) 3 m
Dimensions	(H/W/D) 80/80/40 mm (20 mm depth)
Display	100x64 pixel STN - White backlight
EU Registered Design	001101349-000

#### EZC-12-8 / EZC-12-4

Actuator Output	4/8 x 230 Vac (max total 10 A)
Thermostat input	4/8 x 230 Vac
Pump relay	Volt free 230 Vac 6A
Demand relay	Volt free 230 Vac 6 A
Interrupter	Main supply (only on EZC-12-8)