



Intelligent Control
Maximum comfort with
low energy consumption

Save up to 36% CO₂



THERMOSTATS FOR COMFORT HEATING

Energy Efficient Radio Controlled Thermostat

The thermostat ensures maximum comfort and minimum energy consumption for all floor heating applications. Easy to both operate and program.

Designed for use with Comfort System 4™ central controller.

- Energy efficient all-in-one thermostat, ideal for all floor types.
- Slimmest radio controlled thermostat on the market, only 20 mm depth. With snap mounting of front cover, this makes installation easier than ever.
- Maximum safety thanks to built-in 2-pole 16 A interrupter.
- Easy menu navigation and programming. The programming is child's play, ensuring the fastest and easiest set-up.
- Supplied with new thin floor sensor, making sensor installation more comfortable than ever.
- Compatible with other makes of floor sensor, ideal for renovation.

PRODUCT PROGRAMME

| TYPE | PRODUCT |
|-----------|--|
| MCS4-10 | CS4™ Central Controller for up to 15 wirelessly controlled basic thermostats |
| MSD4-1999 | CS4™ Thermostat, for use with MCS4 |
| MSA4-10 | CS4™ Panel Heater Controller, for use with MCS4 |

All-in-one thermostat

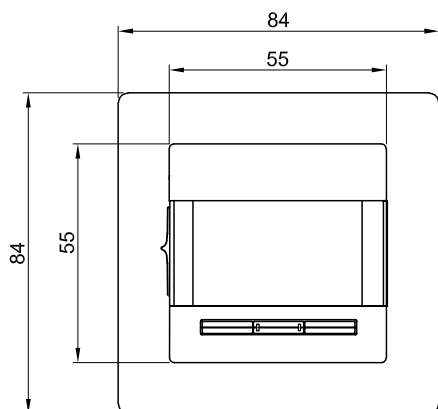
Comes with Room sensing, room sensing and floor limitation, floor sensing only mode.

Housing IP21

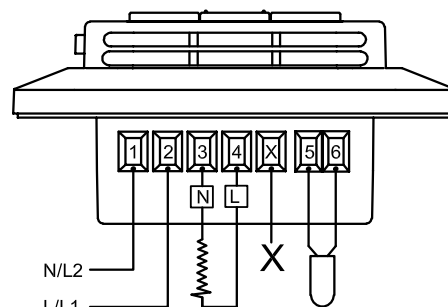
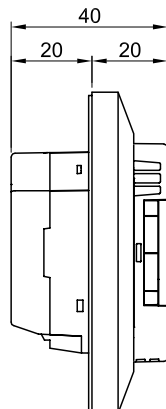
Can be mounted also in bath rooms.

Easy read-out of energy consumption

Total switch-on time in KW/percentage can be read out in central controller within the latest 2 days, 30 days or 365 days. In this way the heating consumption can be controlled.



BR-0984-A17b
 © 2010 OJ Electronics A/S



BR-0987-A02a
 © 2010 OJ Electronics A/S

Controlled by events sent from Central Controller

The MSD4 is controlled by the central controller:

Events received from the central controller

DAYS 1-5

| EVENT | TIME | TEMPERATURE |
|-------|-------------|--------------|
| 1 | 06:00-08:00 | Comfort 21°C |
| 2 | 08:00-16:00 | Setback 15°C |
| 3 | 16:00-22:30 | Comfort 21°C |
| 4 | 22:30-06:00 | Setback 15°C |

DAYS 6-7

| EVENT | TIME | TEMPERATURE |
|-------|-------------|--------------|
| 1 | 08:00-23:00 | Comfort 21°C |
| 4 | 23:00-08:00 | Setback 15°C |

Comfort mode

The house temperature can be temporarily changed for a single event. The comfort mode temperature is reset after a selected number of hours. The thermostat will then return to the scheduled event program.

Local manual mode

The thermostat can easily be set in manual mode by pushing the up or down button. A "hand" symbol will clearly indicate the override temperature.

Easy identification

The thermostat address can easily be read out in the menu structure. At the central controller, the end-user can also easily ask for identification and the thermostat will reply by flashing the unit's address in the display for several seconds.

TECHNICAL DATA

| | |
|-----------------------|---|
| Supply voltage | 230 V AC ±10% 50/60 Hz |
| Standby power | -0.9 Watt |
| Output relay SPST | 16 A resistive load or 1 A inductive load |
| Interrupter | 2-pole, 16 A |
| Temperature range | +5/+40°C |
| Floor limit range | +5/+40°C |
| Clock function | 4-event program |
| Ambient temperature | 0/+40°C during operation |
| Regulation principle | PWM / PI |
| Housing | IP21 |
| Internal sensor type | NTC (12 KΩ) 3 m. |
| Dimensions (H/W/D) | 84/84/40 mm (20 mm depth) |
| Display | Segment – with backlight |
| EU registered design | 001534462-0001 / 2 |
| RF frequency band | 868.3 Mhz |
| RF transmission range | up to 100 meters in open field |