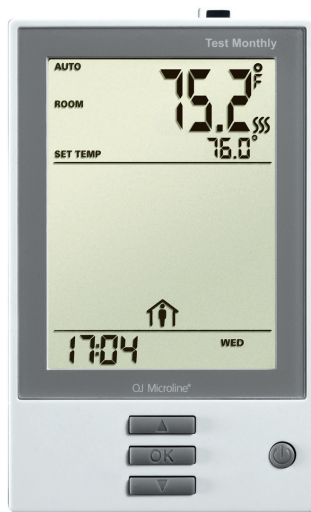
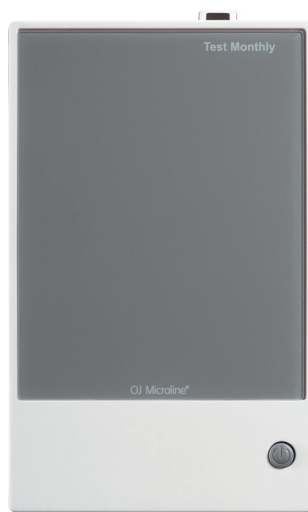


OJ Microline®

ACG/ADG



ACG/ADG-4991



ASG-4000

3
 YEAR
 warranty

THERMOSTATS FOR COMFORT HEATING

Intuitive thermostat with built-in 15 mA EGFPD

An “all-in-one” programmable thermostat for electric underfloor heating control where optimal comfort temperature and minimum energy consumption is required.

EFFICIENT, INTUITIVE AND STYLISH

- Simple user interface and thoughtful installation design
- Pre-programmed for quick set-up
- Monitored energy consumption
- Simple operation - no need for manual
- Multi voltage: 120-240 V (incl. 208 V)
- Output relay: 15 A
- Large back-lit display for easy reading
- ADG: single thermostat for all applications (room, floor, room with floor limitation and as regulator)
- 15 mA EGFPD for ground fault protection

APPROVED QUALITY

c-UL-us
 EGFPD, 15 mA trip level
 EGFPD disconnects line and neutral (L2)

PRODUCT PROGRAM:

ACG-4991 Incl. floor sensor with 3 m (10 ft) cable
 ADG-4999 Incl. 2 sensors: built-in air sensor
 and floor sensor with 3 m (10 ft) cable
 ASG-4000 15 A power module with built-in EGFPD

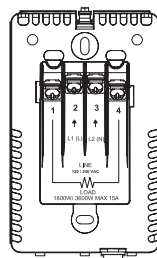
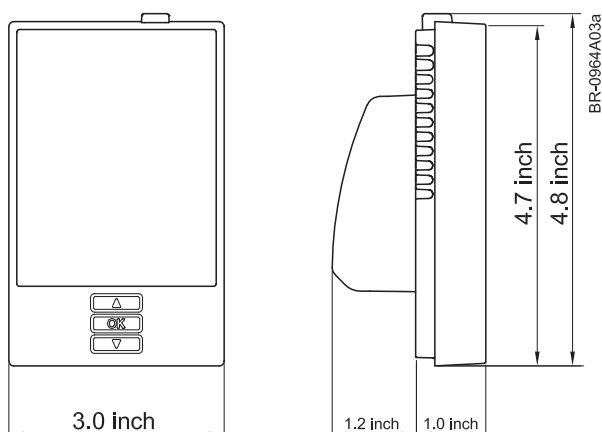
Thermostat control

The thermostat is an electronic on/off thermostat for controlling temperature by means of a sensor placed either externally or built into the thermostat. The heat output is switched on and off with a difference of only 0.7°F (0.4°C)

The thermostat can be configured for control of floor temperature, room temperature or room temperature with limit switch, and regulator without sensor.

It is compatible with existing floor sensors by means of a temperature setting, making it the best thermostat for renovation purposes.

In large applications, ACG and ADG thermostats can be extended with additional ASG power modules with built-in EGFPD. Output can thus be increased by 15 A per module.



BR0964A03a



15 mA EGFPD

The thermostat features a built-in EGFPD (Equipment Ground Fault Protection Device). Should a ground fault occur, the EGFPD disconnects both lines to the heating element. The thermostat and EGFPD are multi voltage models suitable for 120-240 V (incl 208 V), 50/60 Hz power supplies.

Built-in clock function

The thermostats are supplied with factory-set 4-event program for automatic comfort and set-back temperatures.

Individual programming of events

The factory-set periods and/or temperatures can be changed according to requirements.

Furthermore, the following programs can be selected:

- 4 events for 5 days and 2 events for days 6+7
- 4 events for 6 days and 2 events for day 7
- 4 events per day

The programmable thermostat features an adaptive function, allowing it to calculate when the heating must be switched on to ensure that the comfort temperature is reached at the required time.

Comfort mode

The room temperature can be temporarily changed for a single event. The comfort mode temperature is reset after a selected number of hours. The thermostat will then return to the scheduled event program.

Manual mode

The scheduled event program can be cancelled, e.g. during holidays, and the temperature set for frost protection purposes instead, e.g. to 41 °F (5 °C). The new set-point will remain active until manual mode is cancelled.

Monitoring of energy consumption

Total switch-on time in percent can be displayed for the last 2 days, 30 days or 365 days. Overall energy consumption can thus be monitored.

Temperature limitation

ADG-4999 is supplied with a floor sensor which can be used for:

- Max. temperature limitation:
For the protection of wood floors, etc.
- Min. temperature limitation:
For better heating comfort.

Backup function

In the event of a power failure, an internal circuit will maintain the programming and time. However, the time must be reset if the power failure exceeds two hours.

TECHNICAL DATA

Supply	120-240 Vac 50/60 Hz
Load	15 A maximum (resistive load)
Power	1.800 W at 120 Vac
.....	3.120 W at 208 Vac
.....	3.600 W at 240 Vac
EGFPD.....	15 mA trip level
Temperature range	+41 to +104 °F (+5 to +40 °C)
Floor limit range.....	+41 to +104 °F (+5 to +40 °C)
Amb. Temp. range	+32 to +104 °F (0 to +40 °C)
Clock function	4-event program
On/Off differential	0.7 °F (0.4 °C)
Regulation principle.....	PWM / PI
Housing	Nema 2 (IP21)
Floor sensor type.....	NTC (12 KΩ) 10 ft (3 m)
Dimensions(H/W/D)	4,8/3,0/1,0 inch (123/75/25 mm)

c-UL-us according to the following standards:

Thermostat:	UL 873
	CSA C22.2 No. 24
UL E-file:	E157297
EGFPD:	UL 991 3th ed.
	CSA C22.2 No. 0.8

