

WLM2

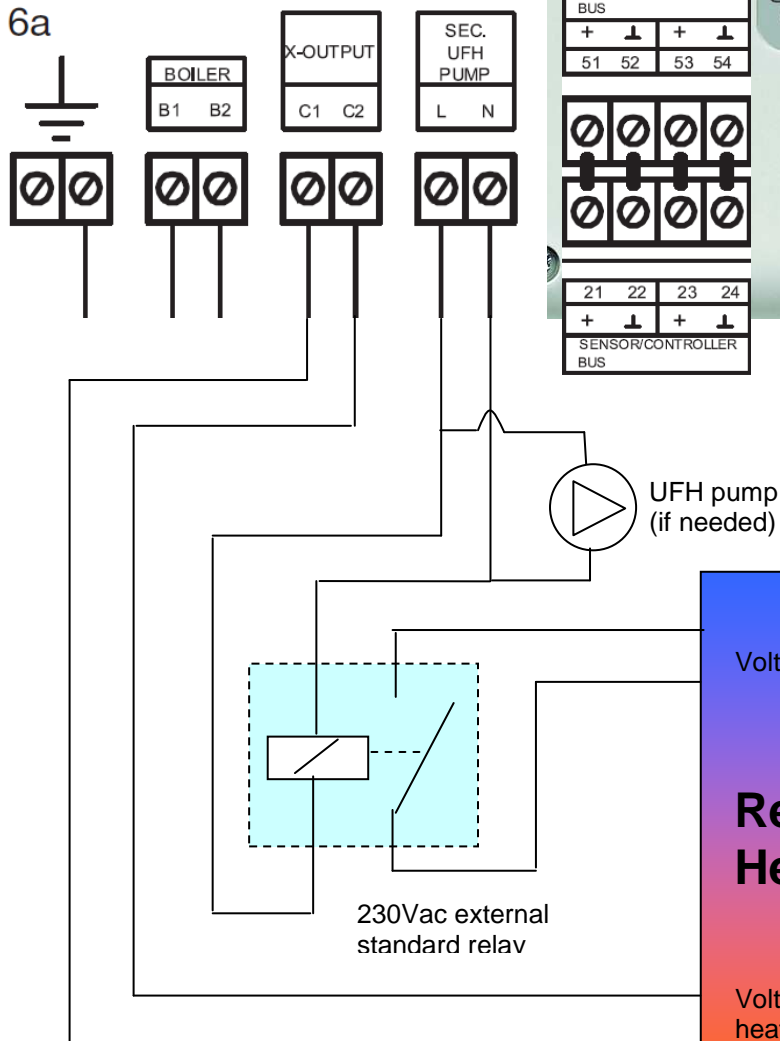
WLM2 – Master

How to connect the WLM2 to a reversible heatpump with a cooling/heating input and a demand input



Connect a WLAC-1 to the thermostat bus terminals (eg.). The switch will enable the user to switch the system between cooling and heating.

Fig. 6a



Set DIP Switch 5 and 6 to ON. This enables the X-output to be activated in cooling and deactivated in heating.!