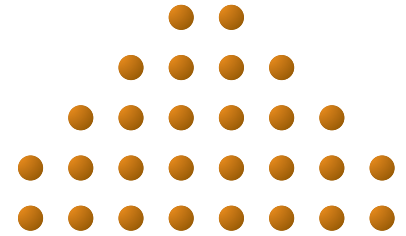


OJ Microcenter

**EZC**

WATERLINE MICROCENTER FOR UNDERFLOOR HEATING

# Microcenter EZC-12 and EZC-32

## Application

EZC microcenter is suitable for connecting multiple room thermostats and electric actuators (thermo heads) on, for example, an underfloor heating system.

- Recommended for control of underfloor heating in hydronic installations
- Connection of up to 8 thermostats
- Connection of up to 8 actuators
- Versions for 230V AC or 24V AC connection
- Demand controlled pump relay
- Demand controlled relay for heating source (boiler)
- Built-in switch
- Night setback options

## FUNCTION

### Time control

An external time control can be connected for either switching off the installation during night times, or for generating night setback signal to the thermostats.

### Pump out

The EZC has a volt free relay output for pump control that will be energised when any connected room thermostat calls for heat.

### Demand output

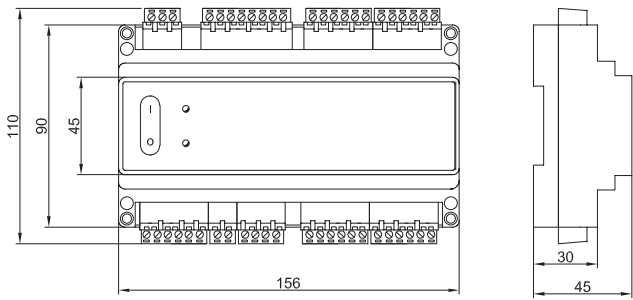
The EZC has a second volt free relay output that can be used to enable a boiler, or to open a motorised valve.

It is permissible to connect more than 1 head to a single terminal, provided that both heads are to be controlled by the same room thermostat.

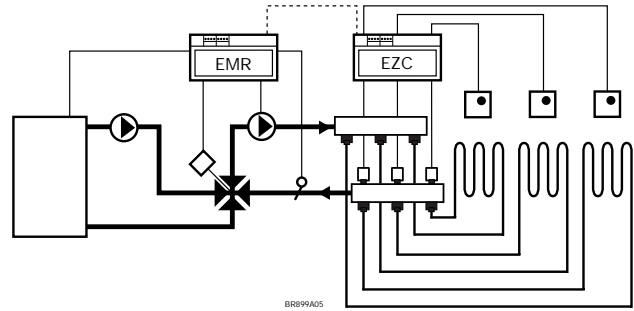
## PRODUCT PROGRAMME

SUPPLY	CONNECTIONS		TYPE
	THERMO HEADS	THERMOSTATS	
230V AC	8	8	EZC-12-8
230V AC	4	4	EZC-12-4
24V AC	8	8	EZC-32-8
24V AC	4	4	EZC-32-4

EZC Microcenter is delivered including cover type ETT-KH



Dimensions (mm)



Ezc Microcenter in combination with temperature controller type EMR

## TECHNICAL DATA

Type	Supply	Input	Output	Input time switch
Ezc-12-8	230V AC $\pm 10\%$ , 50-60Hz	8 x 230V AC	8 x 230V AC, max. 2A	230V AC
Ezc-12-4	-	4 x 230V AC	4 x 230V AC, max. 2A	
Ezc-32-8	24V AC $\pm 10\%$ , 50-60 Hz	8 x 24V AC	8 x 24V AC, max. 2A	24V AC
Ezc-32-4	-	4 x 24V AC	4 x 24V AC, max. 2A	
Max output total for actuators	10A			
Pump and demand relay	2 x SPST, volt free 24V AC max 6A or 230V AC max. 6A			
Interrupter, main supply	only Ezc-12-8 and Ezc 32-8			

